

Transom Door  
16" Clear Open

36" Bench  
No Cushion  
Bench Swings Down  
Hatch Swings Up & Slides off Hinges

Lean Post  
w/ Stow & 1 1/2" Cushion

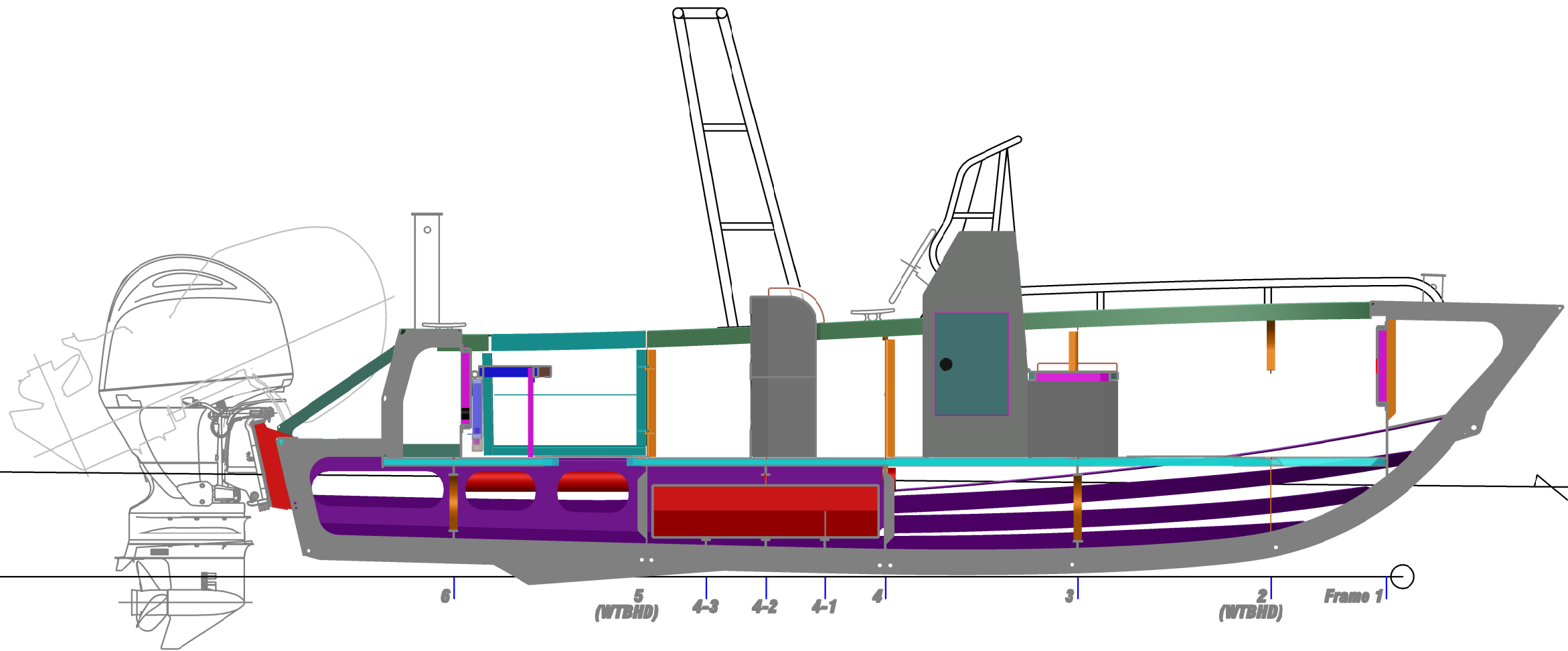
Seat w/ Stow  
& 1 1/2" Cushion

Hatch  
in BHD

DECK PLAN- Shaded		
20' x 8'5" Rescue Skiff		
SCALE 1/2"=1'	DES/DWN WAL	DATE 7/16/24
<b>Response Marine, Inc.</b> Newburyport, MA, <a href="http://www.responsemarine.com">www.responsemarine.com</a>		REV DWG NO. 630-1-1

This drawing and referenced information represent the intellectual property of Response Marine, Inc. Use, reproduction, or transmittal of drawings and referenced NC part files requires pre-payment of licensing fee to Response Marine, Inc. Construction of each boat and component fabrication are licensed on a per boat basis, and require proof of payment for each unit built, prior to construction. Possession of this drawing and referenced information does not constitute the right to use. Proper boat construction and outfitting requires knowledge and expertise beyond the scope of this, and other, drawings, and this knowledge and expertise is the sole responsibility of the builder.

REV.	DESCRIPTION



Est Hvy WL  
5,201# @ 10.37  
1.42',55"

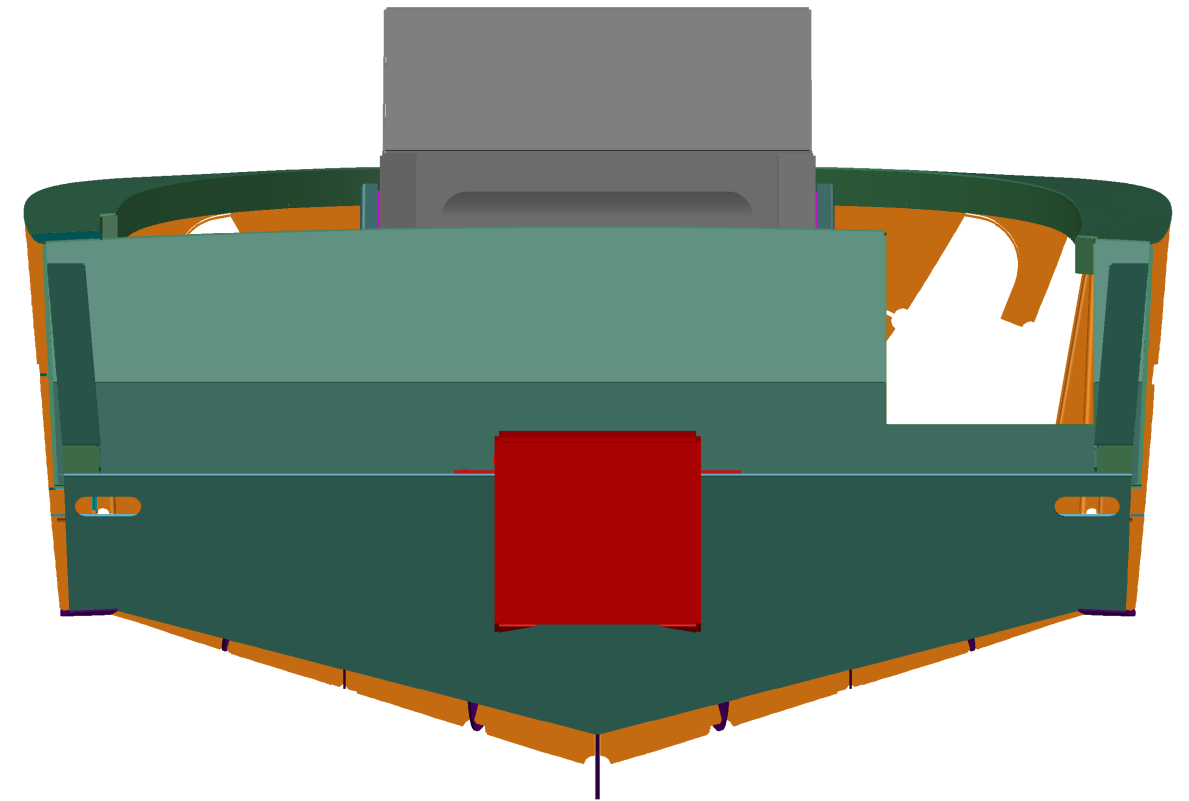
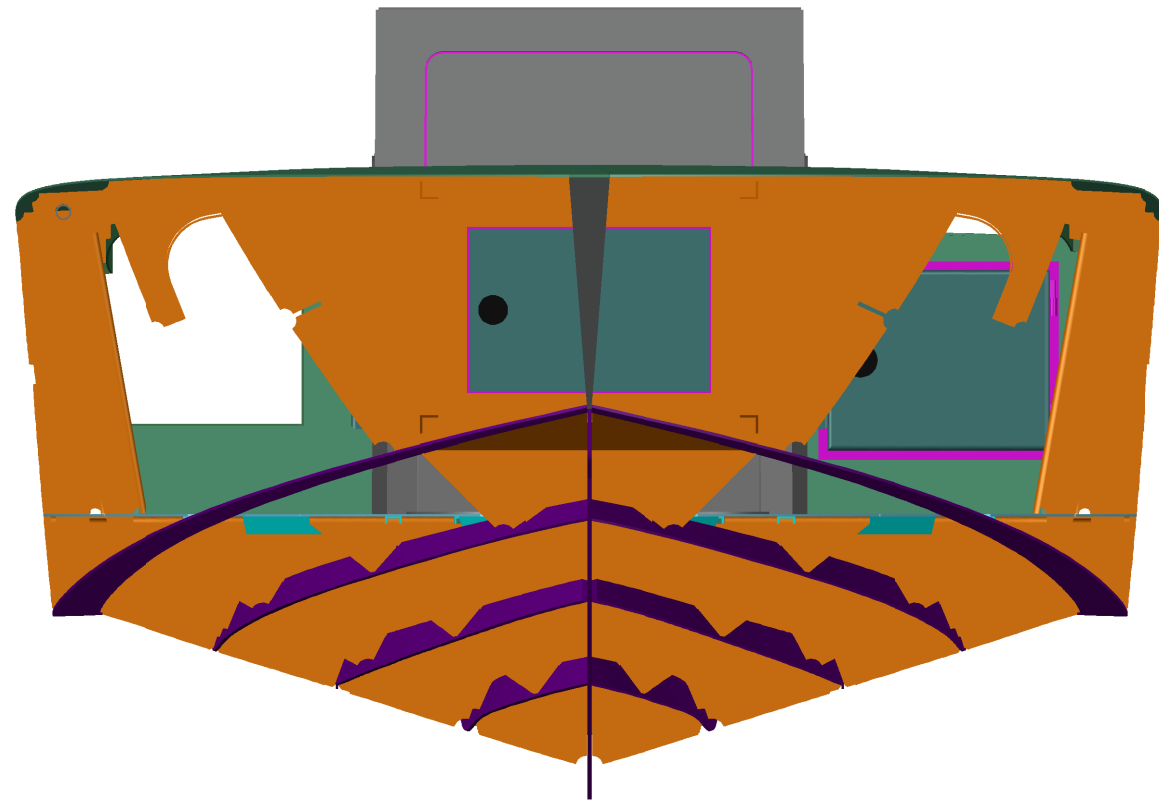
This drawing and referenced information represent the intellectual property of Response Marine, Inc. Use, reproduction, or transmittal of drawings and referenced NC part files requires pre-payment of licensing fee to Response Marine, Inc. Construction of each boat and component fabrication are licensed on a per boat basis, and require proof of payment for each unit built, prior to construction. Possession of this drawing and referenced information does not constitute the right to use. Proper boat construction and outfitting requires knowledge and expertise beyond the scope of this, and other, drawings, and this knowledge and expertise is the sole responsibility of the builder.

REV.	DESCRIPTION

INBOARD PRO- Shaded		
20' x 8'5" Rescue Skiff		
SCALE 3/8"=1'	DES/DWN WAL	DATE 7/16/24
<b>Response Marine, Inc.</b> Newburyport, MA, <a href="http://www.responsemarine.com">www.responsemarine.com</a>		REV DWG NO. 630-1-2

Not Shown:

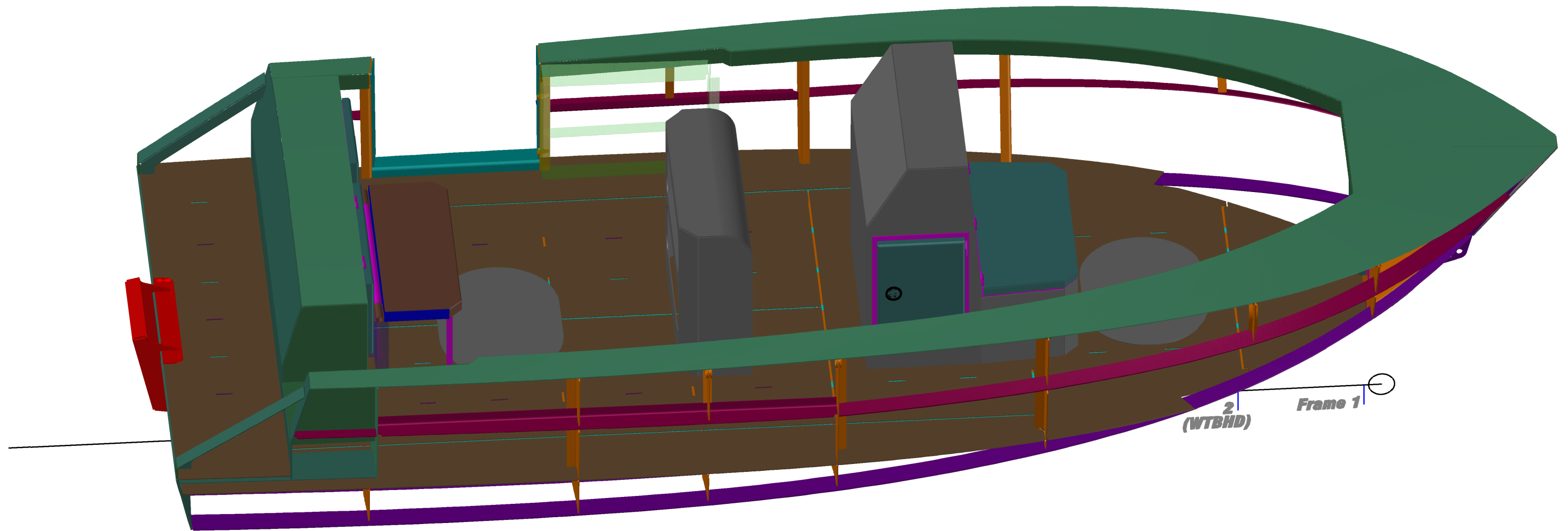
- Full Width Arch
- Misc. Handrails
- Tow Post
- Rub Rails
- TS & Bot Skins



This drawing and referenced information represent the intellectual property of Response Marine, Inc. Use, reproduction, or transmittal of drawings and referenced NC part files requires pre-payment of licensing fee to Response Marine, Inc. Construction of each boat and component fabrication are licensed on a per boat basis, and require proof of payment for each unit built, prior to construction. Possession of this drawing and referenced information does not constitute the right to use. Proper boat construction and outfitting requires knowledge and expertise beyond the scope of this, and other, drawings, and this knowledge and expertise is the sole responsibility of the builder.

END VIEWS		
20' x 8'5" Rescue Skiff		
SCALE 3/4"=1'	DES/DWN WAL	DATE 7/16/24
<b>Response Marine, Inc.</b> Newburyport, MA, <a href="http://www.responsemarine.com">www.responsemarine.com</a>		REV DWG NO. 630-1-3

REV.	DESCRIPTION



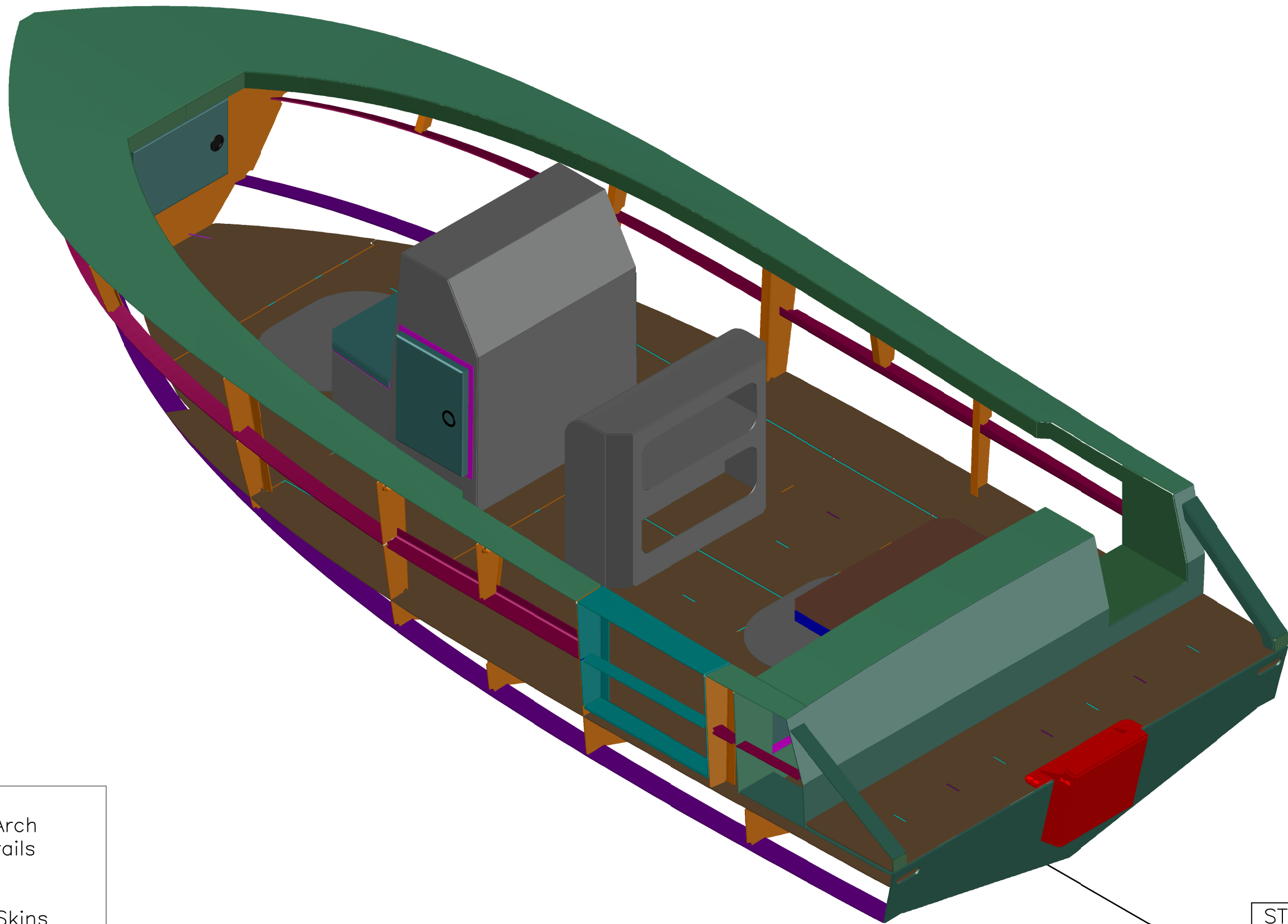
Not Shown:

- Full Width Arch
- Misc. Handrails
- Tow Post
- Rub Rails
- TS & Bot Skins

This drawing and referenced information represent the intellectual property of Response Marine, Inc. Use, reproduction, or transmittal of drawings and referenced NC part files requires pre-payment of licensing fee to Response Marine, Inc. Construction of each boat and component fabrication are licensed on a per boat basis, and require proof of payment for each unit built, prior to construction. Possession of this drawing and referenced information does not constitute the right to use. Proper boat construction and outfitting requires knowledge and expertise beyond the scope of this, and other, drawings, and this knowledge and expertise is the sole responsibility of the builder.

PORT PERSPECTIVE		
20' x 8'5" Rescue Skiff		
SCALE NONE	DES/DWN WAL	DATE 7/16/24
<b>Response Marine, Inc.</b>		REV
Newburyport, MA, <a href="http://www.responsemarine.com">www.responsemarine.com</a>		DWG NO. 630-1-4

REV.	DESCRIPTION



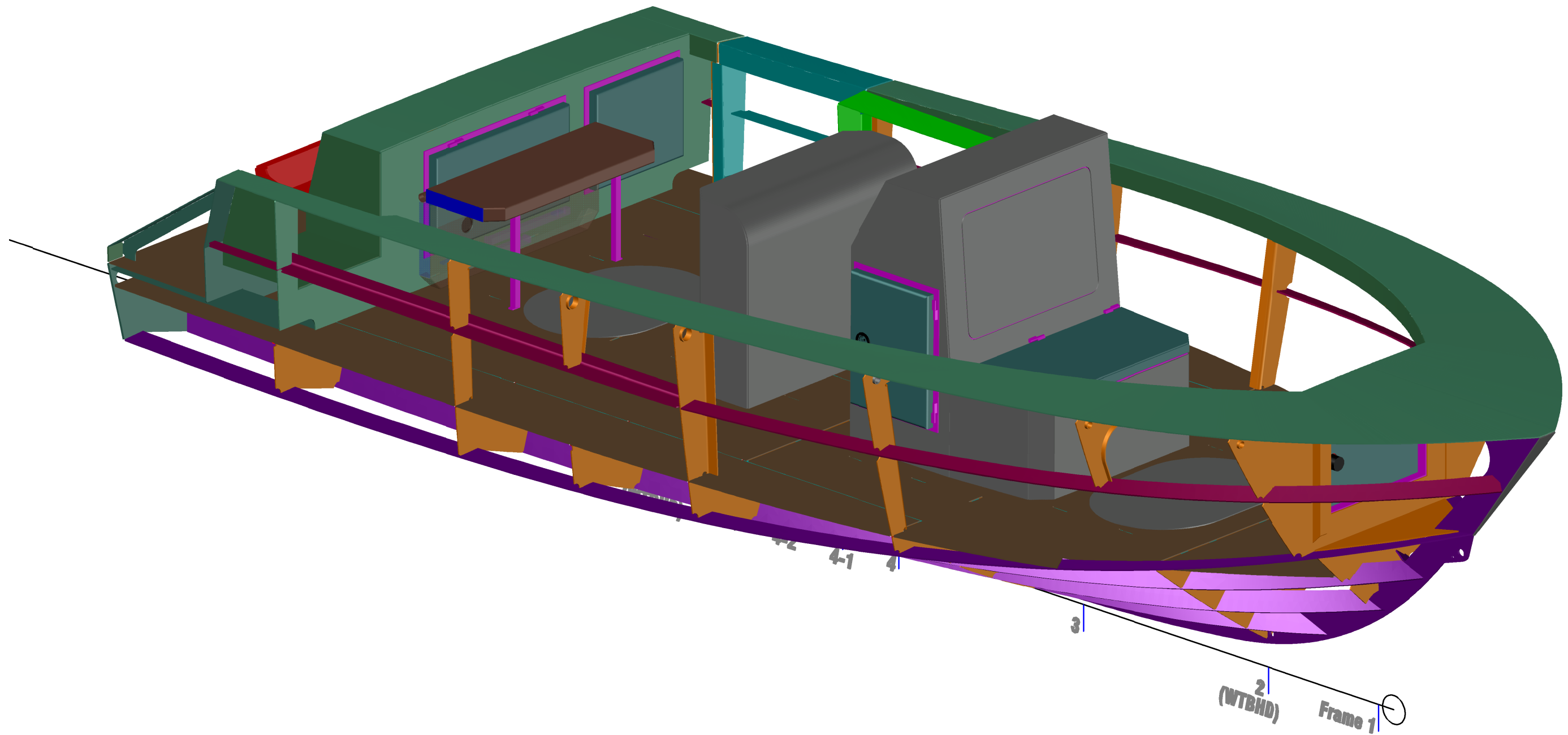
Not Shown:

- Full Width Arch
- Misc. Handrails
- Tow Post
- Rub Rails
- TS & Bot Skins

This drawing and referenced information represent the intellectual property of Response Marine, Inc. Use, reproduction, or transmittal of drawings and referenced NC part files requires pre-payment of licensing fee to Response Marine, Inc. Construction of each boat and component fabrication are licensed on a per boat basis, and require proof of payment for each unit built, prior to construction. Possession of this drawing and referenced information does not constitute the right to use. Proper boat construction and outfitting requires knowledge and expertise beyond the scope of this, and other, drawings, and this knowledge and expertise is the sole responsibility of the builder.

STERN QTR. PERSPECTIVE		
20' x 8'5" Rescue Skiff		
SCALE	DES/DWN	DATE
NONE	WAL	7/16/24
<b>Response Marine, Inc.</b>		REV
Newburyport, MA, <a href="http://www.responsemarine.com">www.responsemarine.com</a>		DWG NO. 630-1-5

REV.	DESCRIPTION



Not Shown:

- Full Width Arch
- Misc. Handrails
- Tow Post
- Rub Rails
- TS & Bot Skins

This drawing and referenced information represent the intellectual property of Response Marine, Inc. Use, reproduction, or transmittal of drawings and referenced NC part files requires pre-payment of licensing fee to Response Marine, Inc. Construction of each boat and component fabrication are licensed on a per boat basis, and require proof of payment for each unit built, prior to construction. Possession of this drawing and referenced information does not constitute the right to use. Proper boat construction and outfitting requires knowledge and expertise beyond the scope of this, and other, drawings, and this knowledge and expertise is the sole responsibility of the builder.

BOW QTR. PERSPECTIVE  
20' x 8'5" Rescue Skiff

SCALE NONE	DES/DWN WAL	DATE 7/16/24
---------------	----------------	-----------------

<b>Response Marine, Inc.</b>		REV
Newburyport, MA, <a href="http://www.responsemarine.com">www.responsemarine.com</a>		DWG NO. 630-1-6

REV.	DESCRIPTION