

OUTBOARD VIEWS

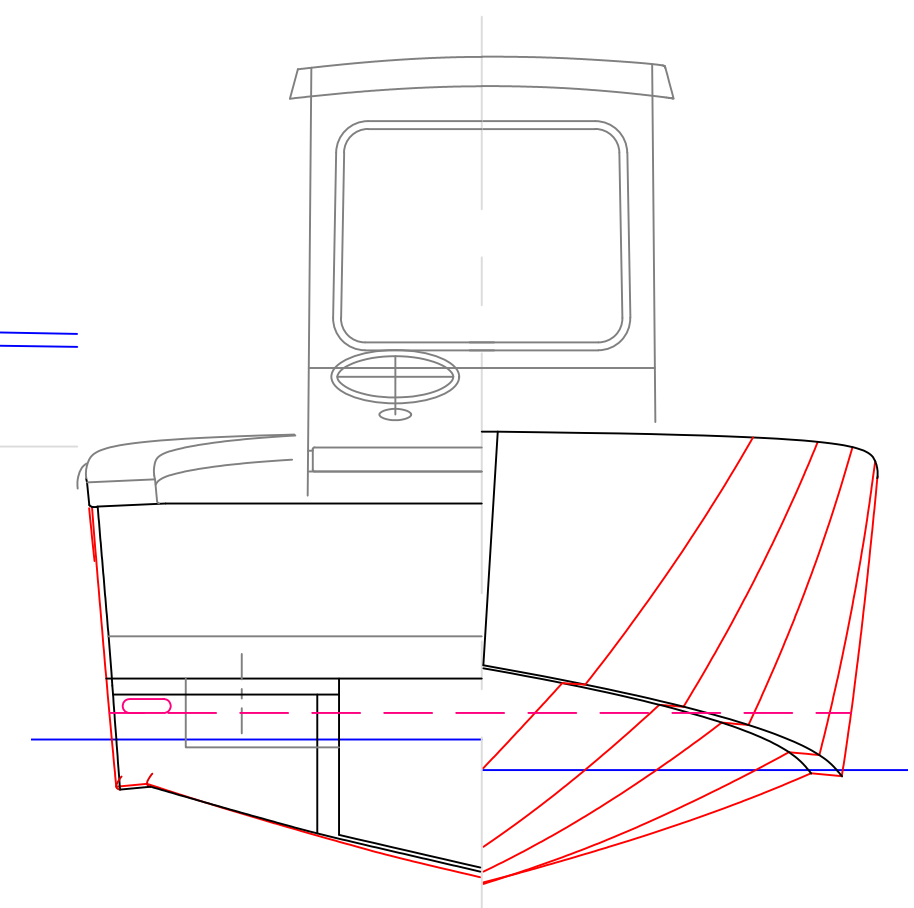
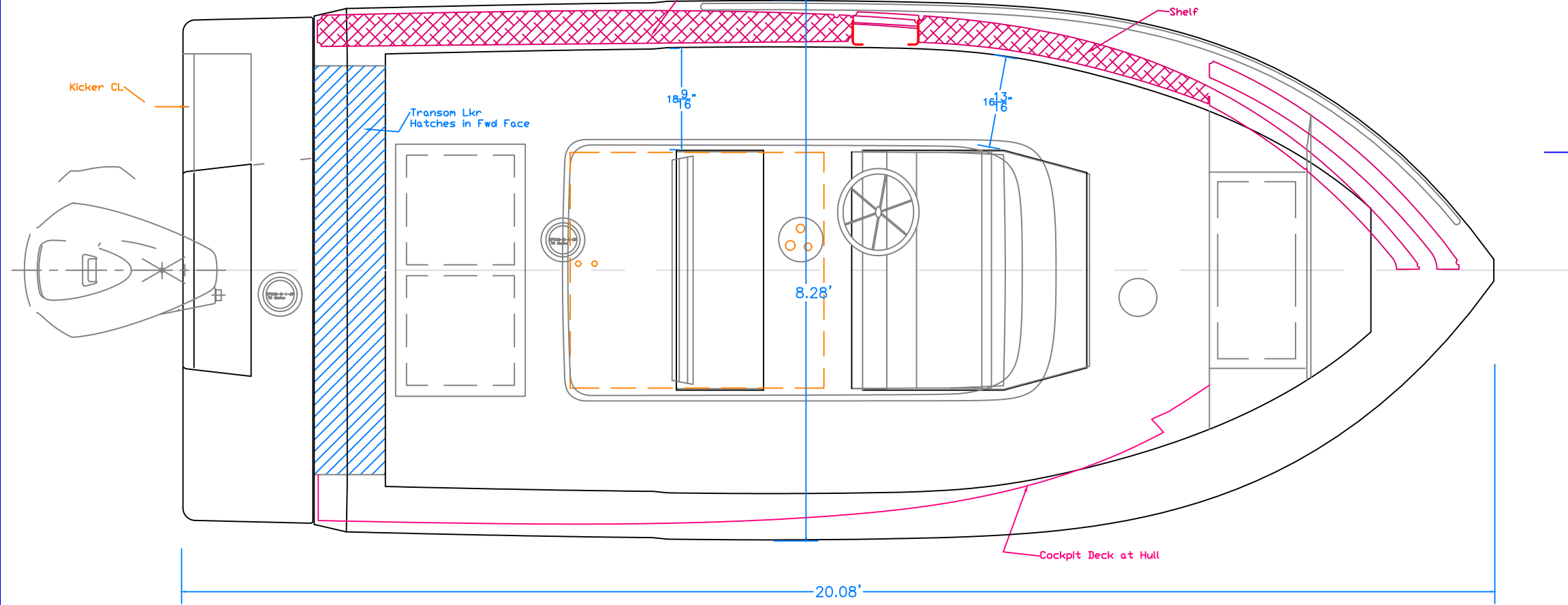
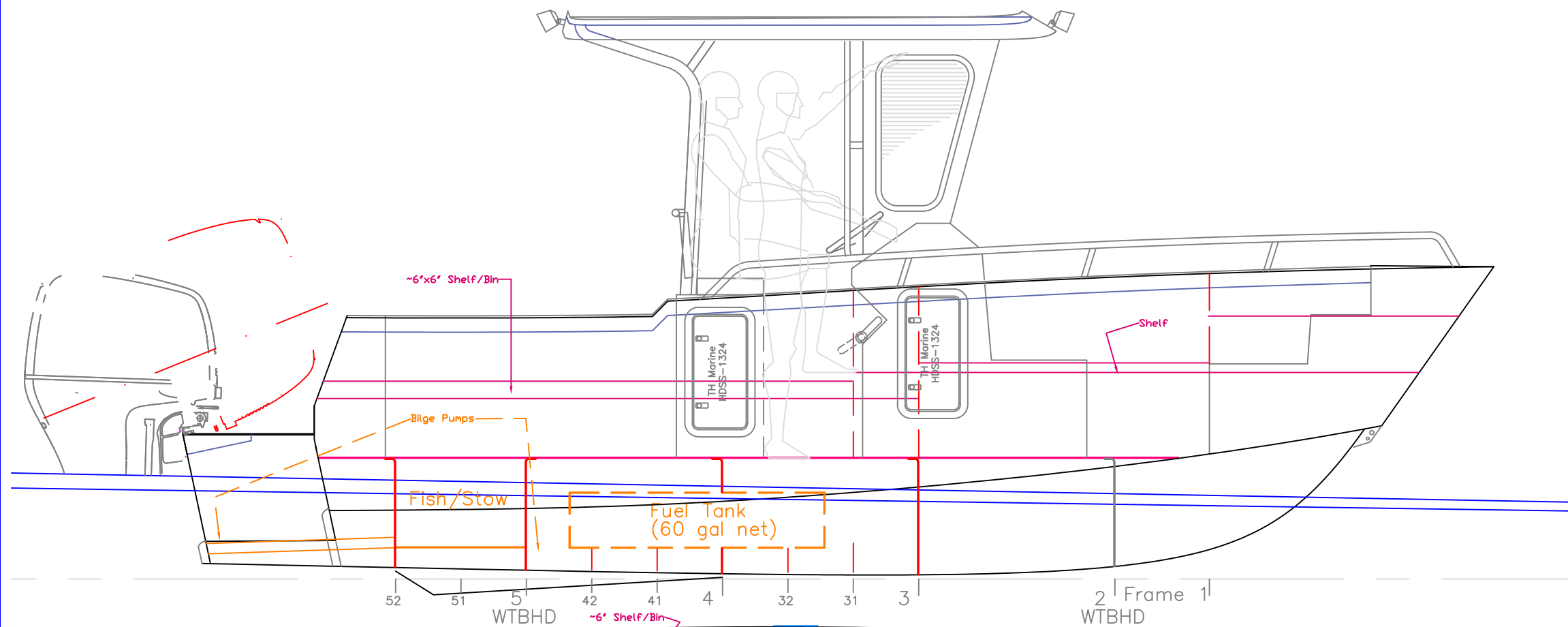
20'x8.3' Skiff

For: Jim Evans

SCALE 1/2" = 1'	DES/DWN WAL	DATE 8/5/20
--------------------	----------------	----------------

Response Marine, Inc.		REV
Newburyport, MA	www.responsemarine.com	DWG NO. 600-1

REV.	DESCRIPTION



INBOARD & END VIEWS
 20'x8.3' Skiff
 For: Jim Evans

SCALE 1/2" = 1'	DES/DWN WAL	DATE 8/5/20
Response Marine, Inc. Newburyport, MA, www.responsemarine.com		REV DWG NO. 600-2

REV.	DESCRIPTION