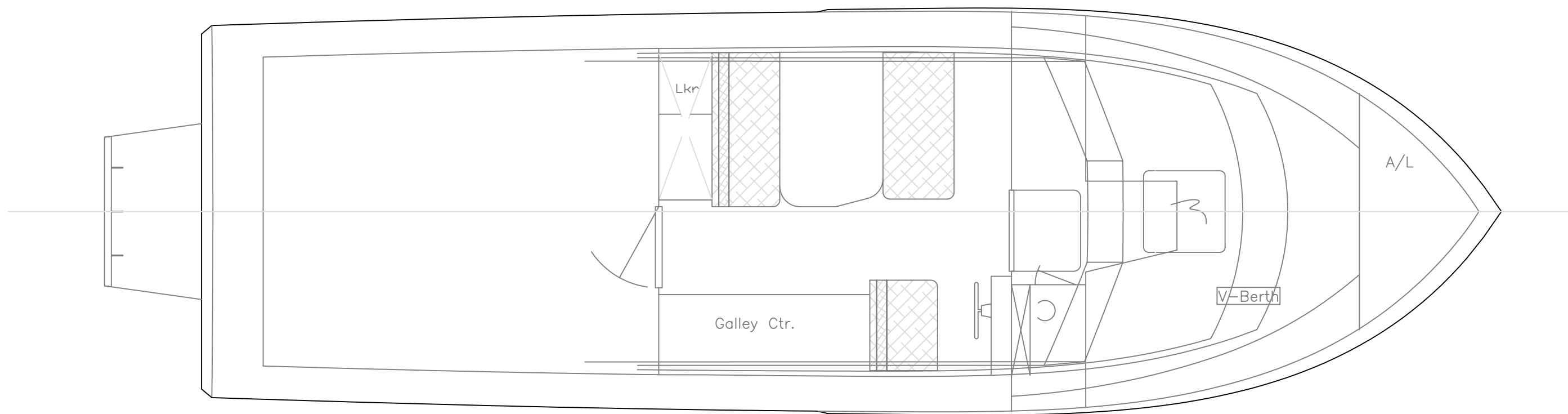
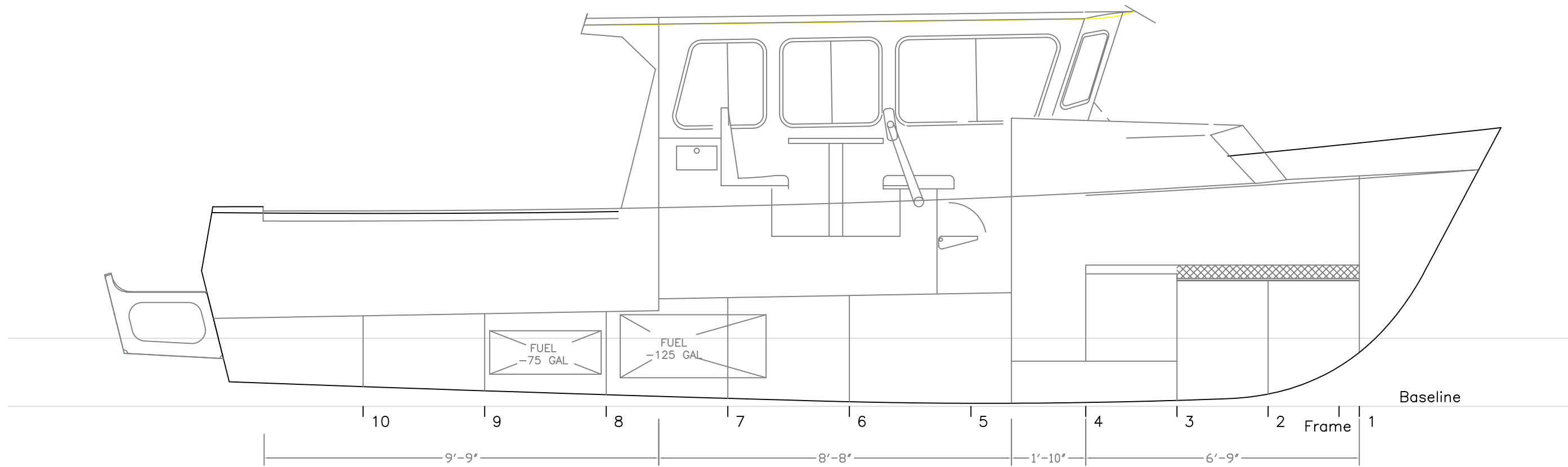


OUTBOARD VIEWS
 NORVELLE 32' X 10' HOUSE FWD

SCALE 3/8" = 1'	DES/DWN WAL	DATE 4/13/07
Response Marine, Inc. Newburyport, MA, www.responsemarine.com		SHEET DWG NO. 215A-01

REV.	DESCRIPTION

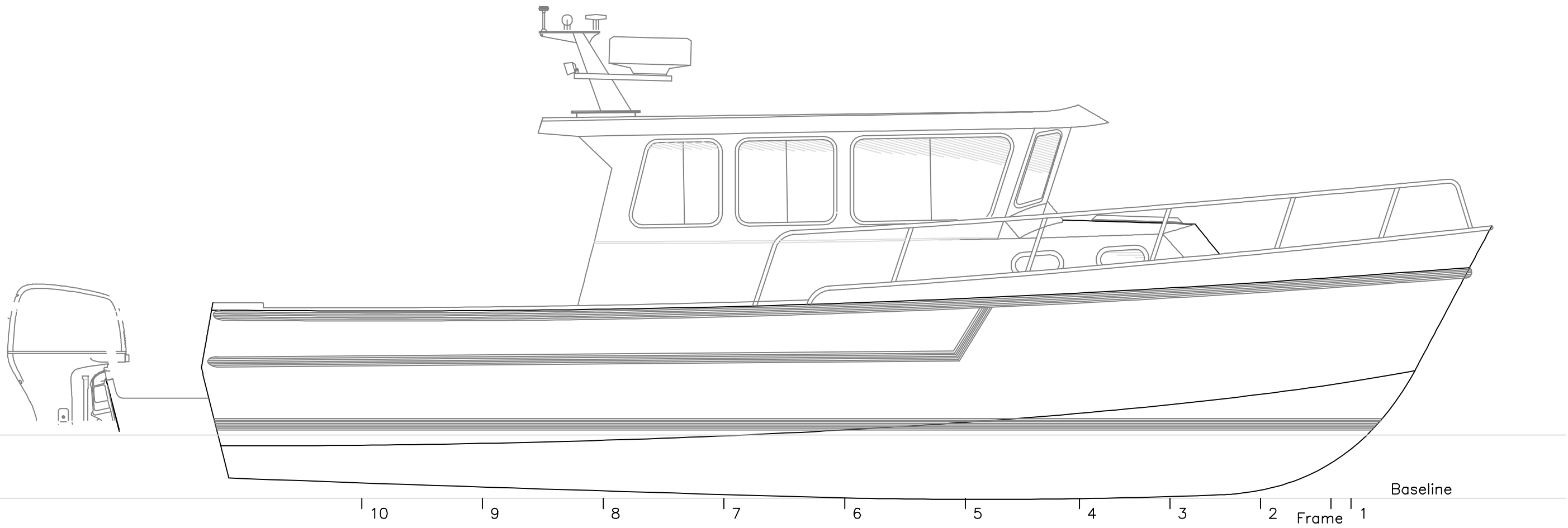


INBOARD VIEWS
 NORVELLE 32' X 10' HOUSE FWD

SCALE 3/8" = 1'	DES/DWN WAL	DATE 4/13/07
--------------------	----------------	-----------------

Response Marine, Inc. Newburyport, MA, www.responsemarine.com	DWG NO. 215A-02
---	--------------------

REV.	DESCRIPTION



PRELIMINARY

OUTBOARD VIEWS- R1

NORVELLE 32' X 10'

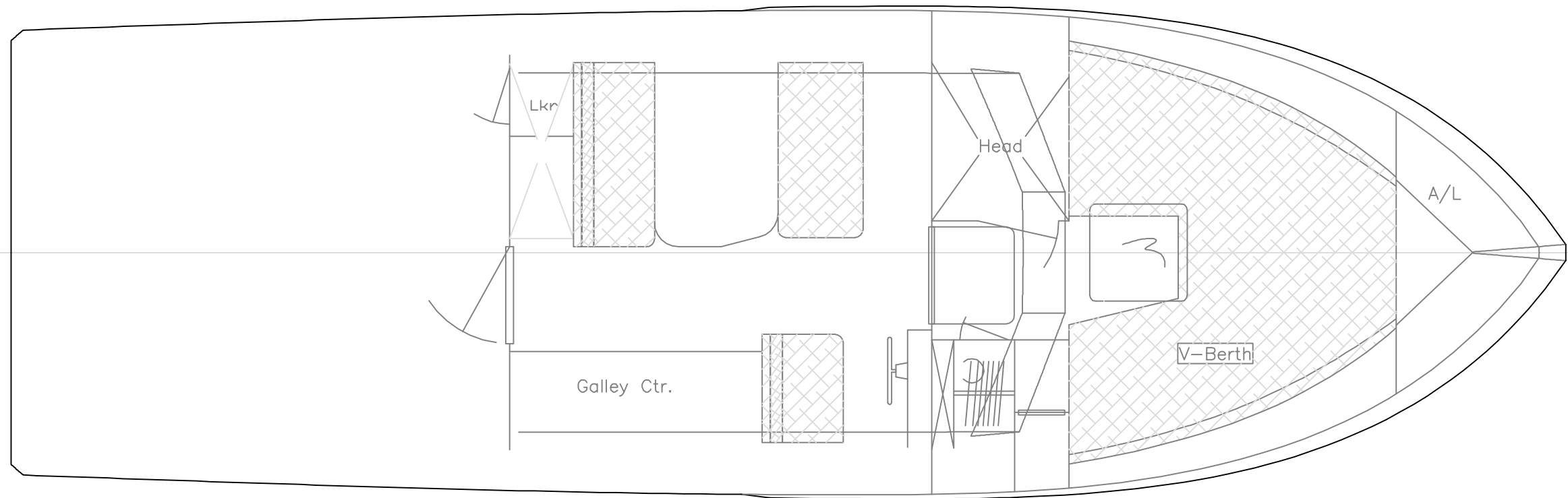
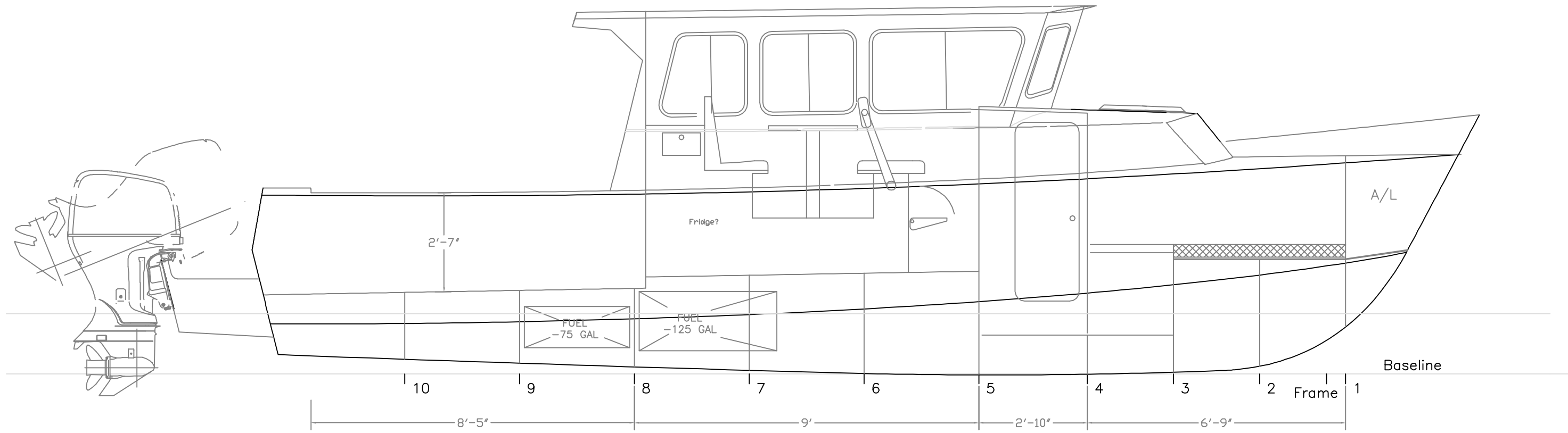
For: Deborah & Brian Huson

SCALE 3/8" = 1'	DES/DWN WAL	DATE 1/16/04
--------------------	----------------	-----------------

Response Marine, Inc.
Newburyport, MA, www.responsemarine.com

SHEET
DWG NO.
215-01, R3

REV.	DESCRIPTION



PRELIMINARY

INBOARD VIEWS- R1

NORVELLE 32' X 10'

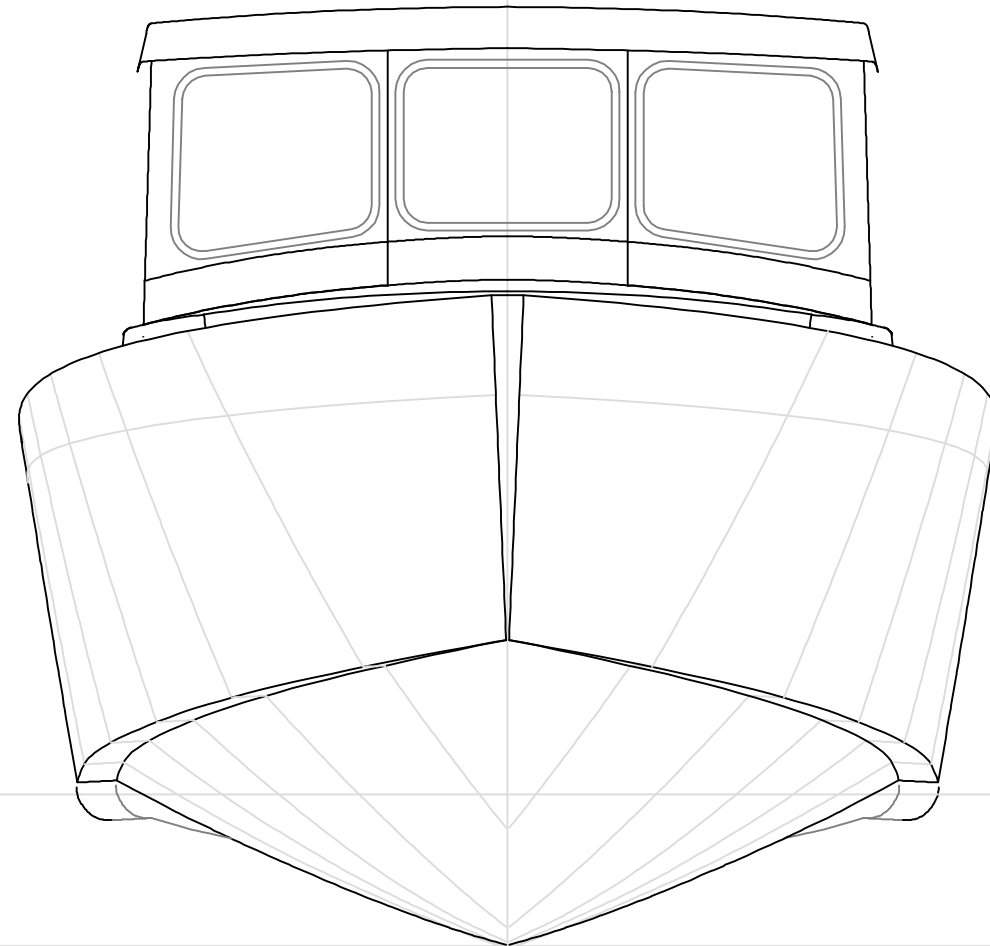
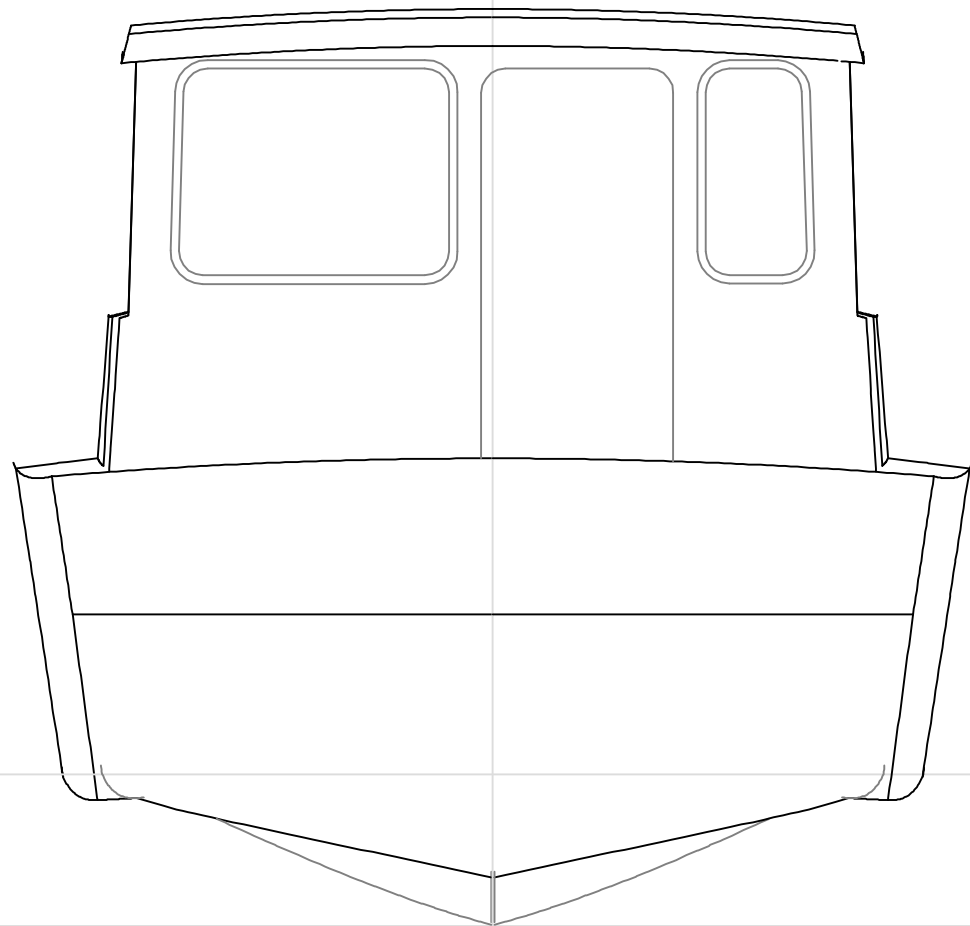
For: Deborah & Brian Huson

SCALE 3/8" = 1'	DES/DWN WAL	DATE 1/16/04
--------------------	----------------	-----------------

Response Marine, Inc.
Newburyport, MA, www.responsemarine.com

SHEET
DWG NO. 215-02, R3

REV.	DESCRIPTION



PRELIMINARY

END VIEWS

NORVELLE 32' X 10'

For: Deborah & Brian Huson

SCALE 1/2" = 1'	DES/DWN WAL	DATE 1/16/04
--------------------	----------------	-----------------

Response Marine, Inc.
Newburyport, MA, www.responsemarine.com

SHEET
DWG NO.
215-04

REV.	DESCRIPTION
1/28/04	Added Windows